

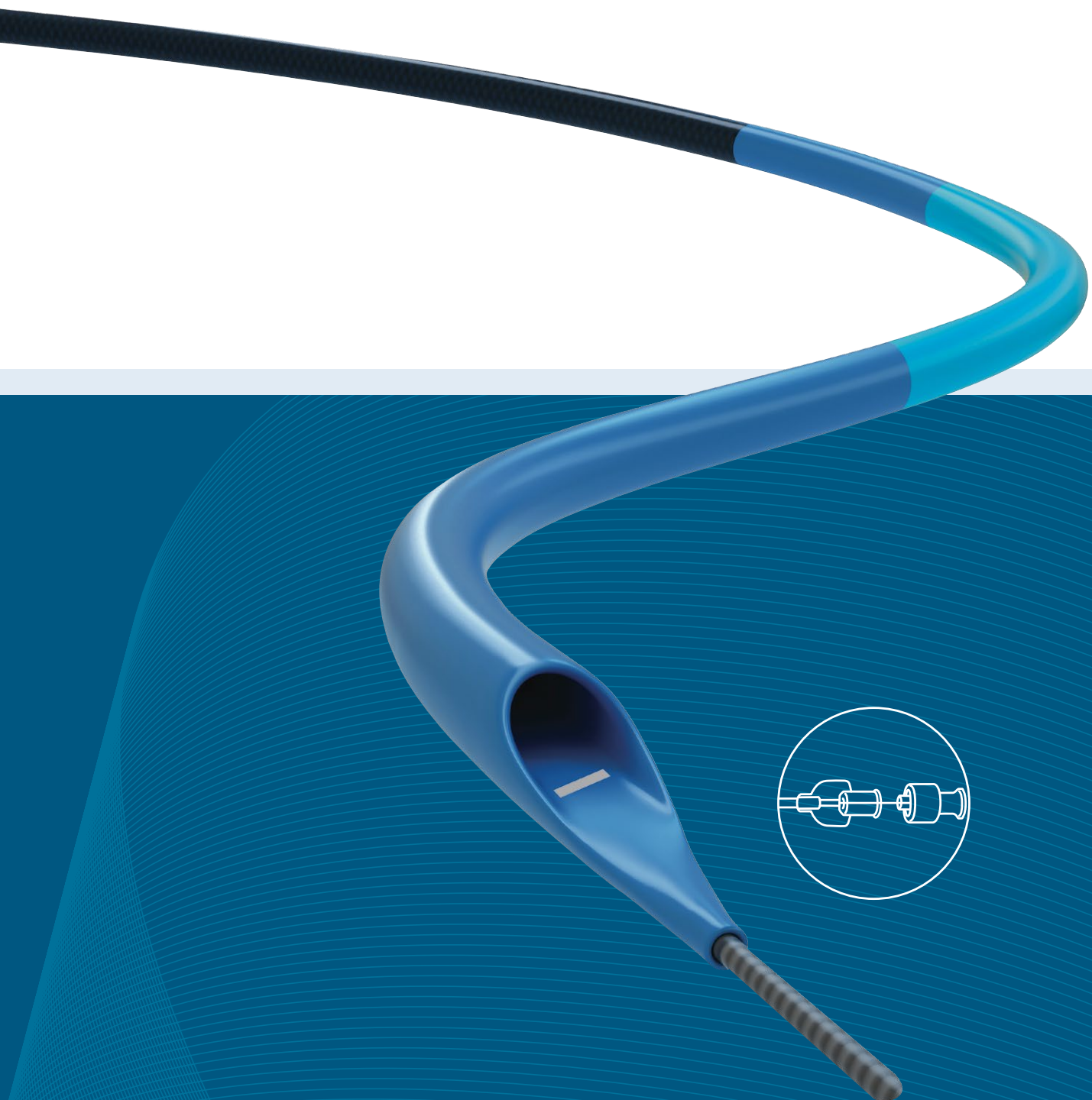
Innovative Health Technologies



# Hunter<sup>®</sup> ST

Thrombus extraction catheter

**Efficacy goes beyond**



## PROXIMAL EDGE

Teflon, mesh, and external coating

A single and wide lumen able to use the entire cylindrical extraction surface.

High thrombus internal sliding.

Wider (better pushing capacity) and thicker (resistance to layerage) flat mesh compared to competitors.

Metal stylet increases pushability and navigability.

Compatible with the 6F guide wire catheter ( $1.40 + 0.32 = 1.72$ ).

## DISTAL AREA WITH DOUBLE LUMEN

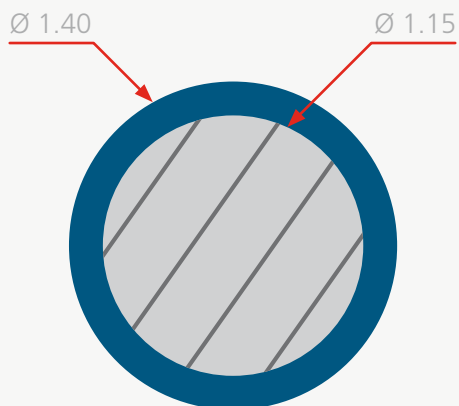
Extraction and guide wire lumen

Teflon hydrophilic external coating.

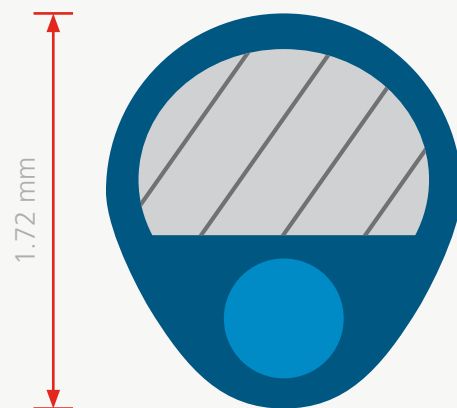
Teflon hydrophilic internal lining in the extraction lumen, and in the guide wire lumen to facilitate thrombus sliding.

Distal radiopaque marker inside, at 5-8 mm from the tip.

Proximal extraction area **1.04 mm<sup>2</sup>**



Distal extraction area **0.95 mm<sup>2</sup>**



Beveling hole for an improved efficiency in thrombus collection

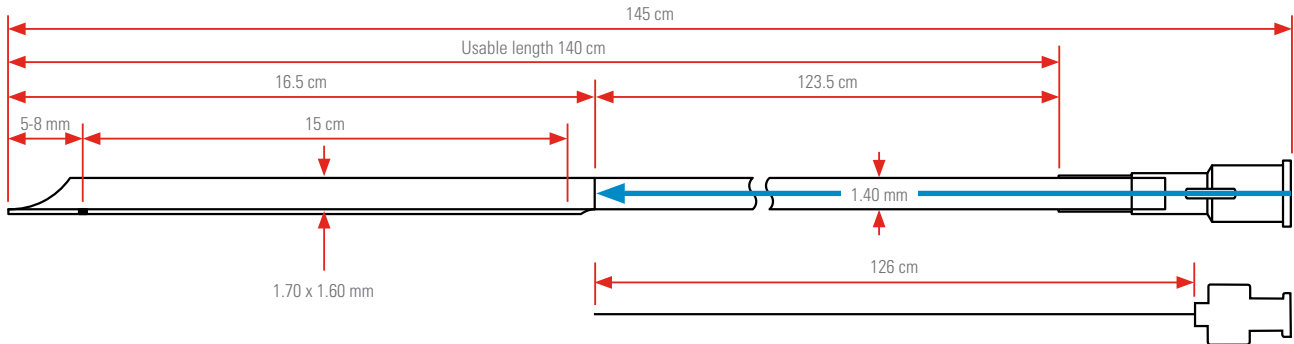
Entry profile: 0.020"



Facilitate sliding in the guide,

## STYLET

- Stainless steel.
- Luer-Lock connector.
- Non-traumatic rounded tip.
- Length: 126 cm.
- Diameter: 0.35 mm.
- Homogeneous flexibility.



## Hunter® ST

### Summary of technical specifications

Number of radiopaque markers	1 distal marker (tip)
Radiopaque marker position vs. extraction lumen	5-8 mm from the tip
Radiopaque marker length	1.0 mm ± 0.2 mm
Guide catheter compatibility	Compatible with 6F guide catheters of any commercial brand and model (OD=2 mm, ID ≥ 1.80 mm)
Guide wire compatibility	0.014" guidewire slides without difficulty ID lumen guide extractor catheter ≥ 0.356"
Effective or usable length	140 ± 3 cm
Entry profile (tip diameter)	≤ 0.015"
Crossing edge profile	≤ 0.038"
Outer diameter (distal)	≤ 1.70 mm
Outer diameter (proximal)	≤ 1.44 mm (≤ 1.80 mm with guidewire)
Tip length	2 mm
Brachial distance	88 ± 2 cm
Femoral distance	98 ± 2 cm
Outer diameter / Stylet length	0.36 ± 0.03 mm / 126.5 cm
Biocompatible material	No release of toxic substances

### Ordering reference number

0053850

Hunter® ST is a registered trademark of Iberhospitex S.A.

CAUTION: The law only permits the sale of the CE marked devices, authorised by the competent Health Authority, with a medical prescription and for use by a physician and appropriately trained healthcare professionals.

Indications, contraindications, warnings and adverse effects resulting from its use, are found on the product label or instructions for use, that are supplied with each device.

This information is based on current product and medical-science knowledge and is intended for healthcare professionals only.